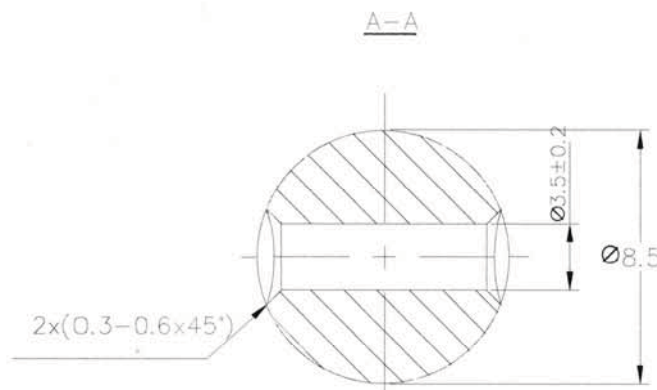
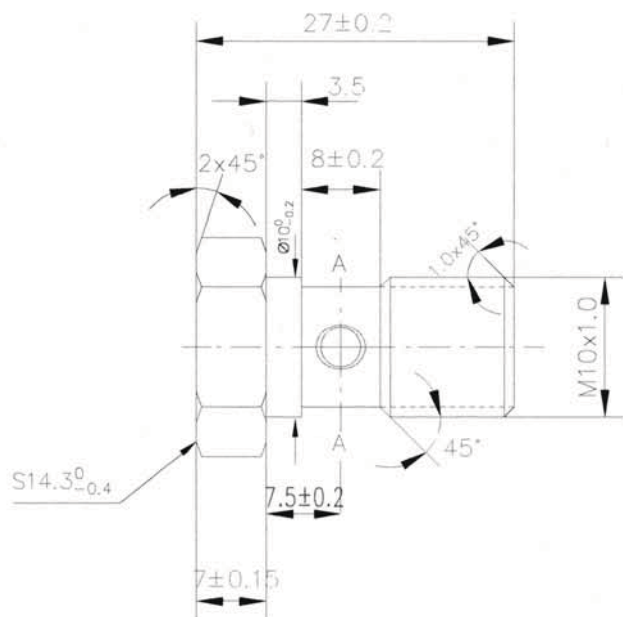




REV 更改号	DATE 日期	REVISION DETAILS 更改内容	APPD 审核并批准
A	Dec.3,2022	Production issue	



UNLESS SPECIFIED
ALL DIMENSIONS ARE IN mm,
ROUGHNESS ON
HEXAGON SURFACE ∇ ,
INNER SURFACE OF THE BORE IS
BETWEEN Ra6.2 um AND Ra12.5um,
OTHER MACHINED SURFACE IS Ra3.2 μ m,
ANGLES TOLERANCE $\pm 5^\circ$,
DIMENSIONS TOLERANCE ± 0.25 mm,
REMOVE ALL BURRS,SLIVERS AND SWARF,
BREAK ALL SHARP EDGES R<0.5mm.

其它事项,
图示尺寸单位为mm,
六角面粗糙度 ∇ ,
内孔表面粗糙度Ra6.2-Ra12.5,
其它未注机加工表面粗糙度 Ra=3.2 μ m,
未注角度公差 $\pm 5^\circ$,
未注尺寸公差 ± 0.25 mm
去除所有毛刺及金属切屑,
锐边倒钝R<0.5mm.

Zhejiang Gaocheng Autoparts Co.,Ltd	
THIRD ANGLE PROJECTION	PART No 零件名 41635-M10 BANJO
SCALE:	APPD: 批准
NTS	DATE: 日期
	IRN: 制图 林吉云
	CHK: 审核 郑建辉

MATERIAL Chinese Stainless steel 0Cr17Ni12Mo2 or 06Cr17Ni12Mo2 that is near to AISI 316
材料: 国产316不锈钢, 即0Cr17Ni12Mo2 (GB/T1220-1992) 或 06Cr17Ni12Mo2 (GB/T1220-2007)

FINISH Bare stainless steel.
Remove all sharp edges,burrs,slivers and swarf, break all edges

光身, 去除所有毛刺, 铁屑等残留物, 锐边倒钝.